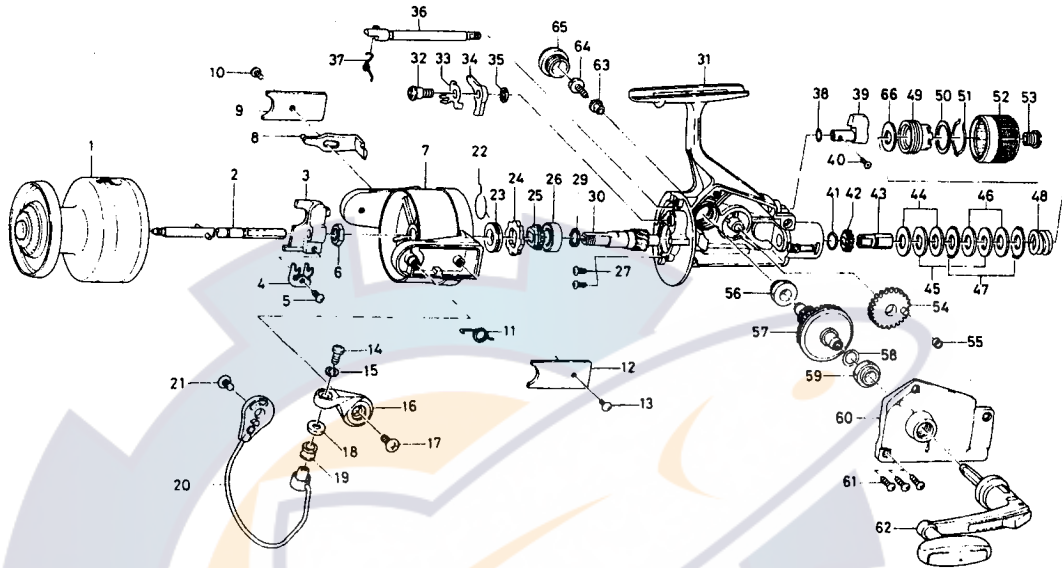


# SPINNING REEL WG7050



Key No.	Parts No.	Parts Name	Key No.	Parts No.	Parts Name
1	E09-9501	Spool assembly	35	375-3002	Anti-reverse pawl washer
2	B77-6901	Main shaft	36	461-5122	Anti-reverse cam
3	B77-7301	Oscillating slider	37	144-0321	Anti-reverse cam spring
4	B77-7401	Oscillating slider retainer	38	375-5201	Anti-reverse lever washer
5	351-6605	Oscillating block screw	39	B77-4301	Anti-reverse lever
6	B10-5701	Rotor nut	40	B34-2101	Anti-reverse lever screw
7	B86-8403	Rotor	41	B52-2101	Key washer retainer
8	B77-9801	Bail trip lever	42	B27-1601	Click gear
9	B77-6601	Bail trip cover	43	B80-0301	Drag washer holder
10	B01-7102	Bail trip cover screw	44	B77-5002	Drag washer A
11	B19-7201	Bail spring	45	372-9605	Key washer
12	B77-6401	Bail spring cover	46	B77-5101	Drag washer B
13	B01-7102	Bail spring cover screw	47	B86-9301	Eared washer
14	B11-2803	Line roller screw	48	E07-1001	Drag coil spring
15	B11-2701	Lock washer	49	B77-5403	Drag screw
16	B80-3501	Bail arm	50	B77-9101	Drag washer C
17	B66-5801	Bail arm screw	51	B77-5501	Drag washer spring
18	501-2001	Line roller washer	52	B77-5604	Drag knob
19	250-4502	Line roller	53	B77-5801	Drag knob screw
20	E07-1102	Bail	54	B78-9701	Oscillating gear
21	B84-2101	Bail trip cam screw	55	B78-9801	Oscillating gear collar
22	B13-5801	Anti-reverse pawl spring	56	501-6102	Bushing
23	B13-5701	Spring holder	57	B78-9001	Drive gear
24	280-5403	Anti-reverse ratchet	58	371-2800	Drive gear washer
25	B32-1301	Click gear	59	501-6102	Bushing
26	637-6101	Ball bearing	60	E09-9301	Side cover
27	E00-7101	Bearing retainer screw	61	B83-5001	Side cover screw
29	B90-9201	Ball bearing retaining washer	62	E09-9401	Handle assembly
30	B78-8901	Pinion gear	63	501-8401	Handle collar
31	E07-0802	Body	64	363-8611	Handle screw
32	E09-1001	Anti-reverse pawl screw	65	363-4703	Handle screw cap
33	B01-5501	Anti-reverse pawl plate	66	370-7511	Drag washer D
34	111-3802	Anti-reverse pawl			